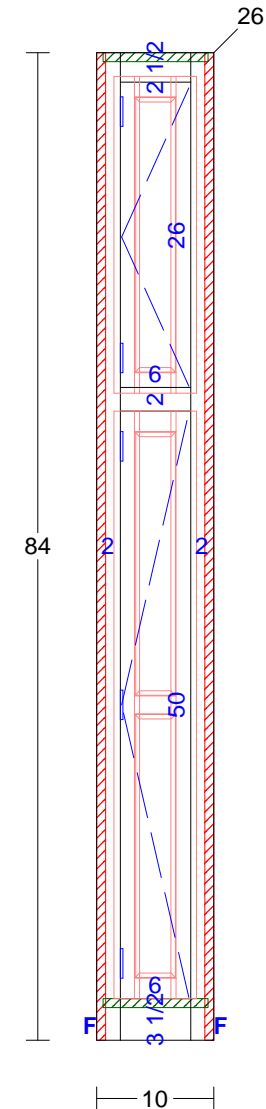


DOORS			
(1)	7	27	Mission Sq Oak
(1)	7	50	Mission 2 sq. Oak
FRAME			
(1)	3 1/2	6	Bottom Rail Solid Oak
(1)	2	84	Right Stile Solid Oak
(1)	2 1/2	6	Top Rail Solid Oak
(1)	2	84	Left Stile Solid Oak
(1)	2	6	Mid Rail Solid Oak
PANEL STOCK			
(1)	25 1/4	84	Finished Left End 3/4 Oak Ply A1
(1)	25 1/4	84	Finished Right End 3/4 Oak Ply A1
(1)	8 15/16	81 1/4	Unfinished Back 1/4 Birch Ply A4
(1)	25	8 15/16	Top 3/4 Birch Ply A1
(1)	25	8 15/16	Deck 3/4 Birch Ply A1
HARDWARE			
(5)	1	2 1/2	Hinge Soft Blum 125 1/2

ASSEMBLY # 1 - Tall
10 x 84 x 26 (1)



ASSEMBLY # 1 - Tall

L.Stile = 2	L.Scribe = 1/16	R.Stile = 2	R.Scribe = 1/16
T.Scribe = 0	B.Scribe = 2 3/4		
Left End = Finished	Right End = Finished	Back = Unfinished	
Toe Height = 0	Toe Recess = 0		

Ideas In Wood

AL

Default

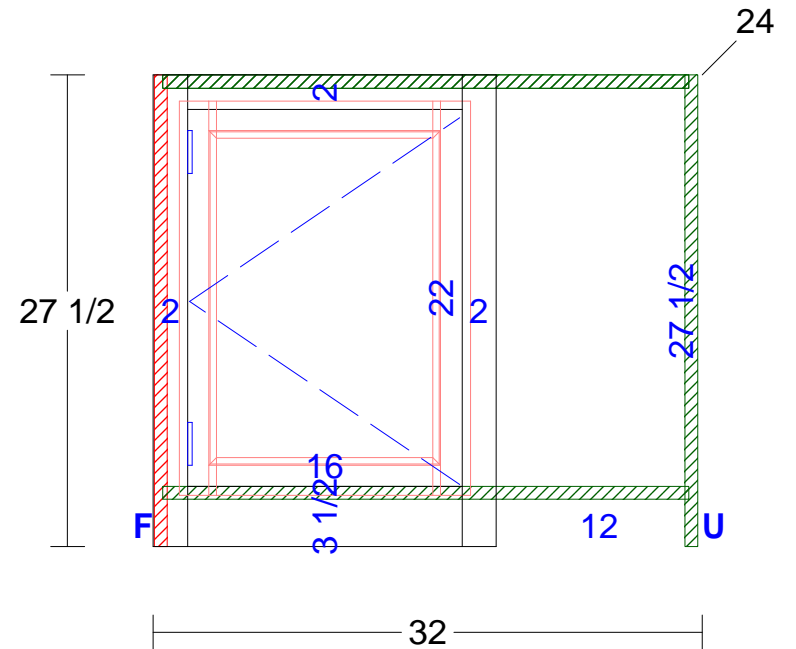
Room # 1 (Room 1) - Wall # 1

Date : 12-17-2008

(1)	DOORS			
17		23	Mission Sq	Oak
FRAME				
(1)	3 1/2	16	Bottom Rail	Solid Oak
(1)	2	16	Top Rail	Solid Oak
(1)	2	27 1/2	Left Stile	Solid Oak
(1)	2	27 1/2	Mid Stile	Solid Oak
PANEL STOCK				
(1)	23 1/4	27 1/2	Finished Left End	3/4 Oak Ply A1
(1)	23	27 1/2	Unfinished Right End	3/4 Birch Ply A1
(1)	30 11/16	24 3/4	Unfinished Back	1/4 Birch Ply A4
(2)	2 1/4	30 11/16	Top Stretcher	3/4 Birch Ply A1
(1)	23	30 11/16	Deck	3/4 Birch Ply A1
HARDWARE				
(2)	1	2 1/2	Hinge	Soft Blum 125 1/2

ASSEMBLY # 2 - Std Base

32 x 27 1/2 x 24 (1)



ASSEMBLY # 2 - Std Base

L.Stile = 2	L.Scribe = 1/16	R.Stile = 1 1/8	R.Scribe = 1/4
T.Scribe = 0	B.Scribe = 2 3/4		
Left End = Finished	Right End = Unfinished	Back = Unfinished	
Toe Height = 0	Toe Recess = 0		

Ideas In Wood

AL

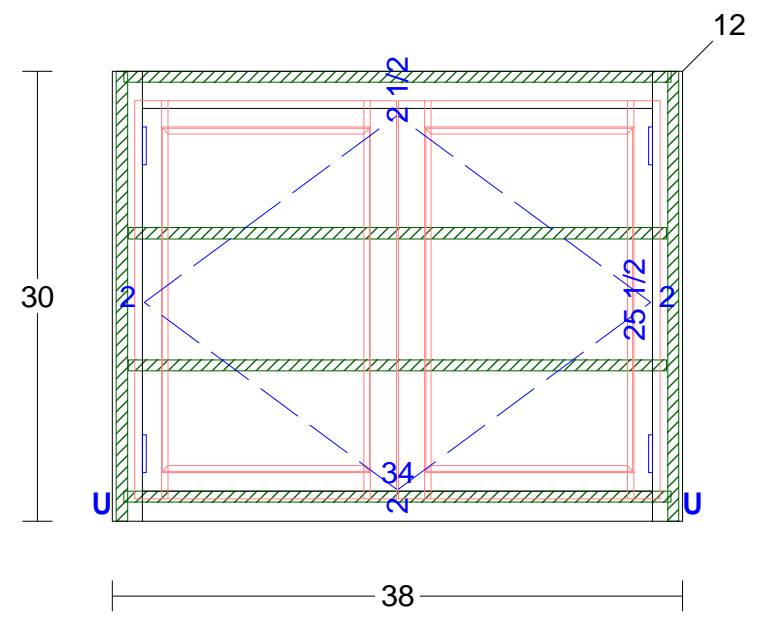
Default

Room # 1 (Room 1) - Wall # 1

Date : 12-17-2008

(2)	DOORS	17 7/16	26 1/2	Mission Sq	Oak
FRAME					
(1)	2	34		Bottom Rail	Solid Oak
(1)	2	30		Right Stile	Solid Oak
(1)	2 1/2	34		Top Rail	Solid Oak
(1)	2	30		Left Stile	Solid Oak
PANEL STOCK					
(1)	11	30		Unfinished Left End	3/4 Birch Ply A1
(1)	11	30		Unfinished Right End	3/4 Birch Ply A1
(1)	36 1/2	28 3/4		Unfinished Back	1/4 Birch Ply A4
(1)	11	36 1/2		Top	3/4 Birch Ply A1
(1)	11	36 1/2		Bottom	3/4 Birch Ply A1
(2)	10 1/8	35 7/8		Adjustable Shelf	3/4 Birch Ply A1
HARDWARE					
(4)	1	2 1/2		Hinge	Soft Blum 125 1/2

ASSEMBLY # 3 - Stand Upper
38 x 30 x 12 (1)



ASSEMBLY # 3 - Stand Upper

L.Stile = 2 L.Scribe = 1/4 R.Stile = 1 1/8 R.Scribe = 1/4
T.Scribe = 0 B.Scribe = 1 1/4
Left End = Unfinished Right End = Unfinished Back = Unfinished

Ideas In Wood

AL
Default

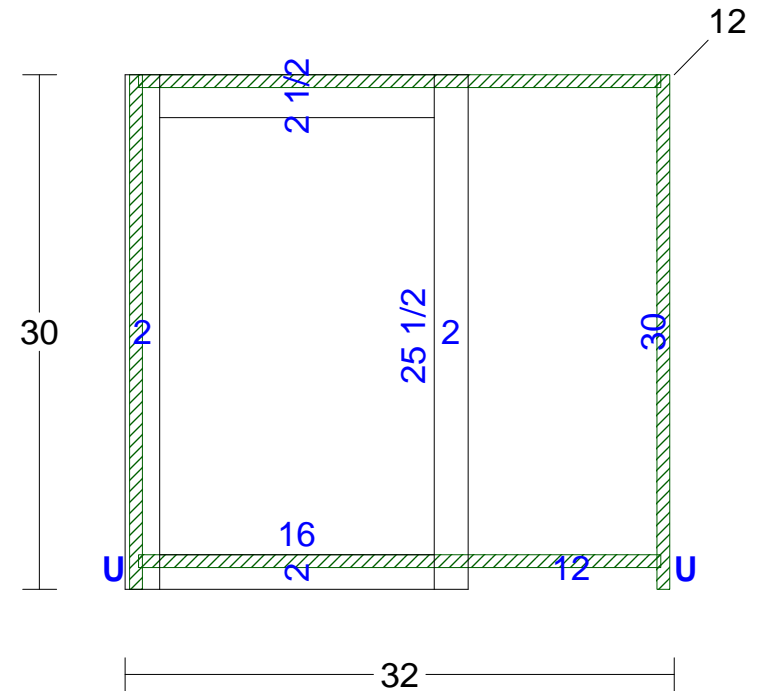
Room # 1 (Room 1) - Wall # 1

Date : 12-17-2008

ASSEMBLY # 4 - Stand Upper

32 x 30 x 12 (1)

FRAME				
(1)	2	16	Bottom Rail	Solid Oak
(1)	2 1/2	16	Top Rail	Solid Oak
(1)	2	30	Left Stile	Solid Oak
(1)	2	30	Mid Stile	Solid Oak
PANEL STOCK				
(1)	11	30	Unfinished Left End	3/4 Birch Ply A1
(1)	11	30	Unfinished Right End	3/4 Birch Ply A1
(1)	30 1/2	28 3/4	Unfinished Back	1/4 Birch Ply A4
(1)	11	30 1/2	Top	3/4 Birch Ply A1
(1)	11	30 1/2	Bottom	3/4 Birch Ply A1



ASSEMBLY # 4 - Stand Upper

L.Stile = 1 1/8 L.Scribe = 1/4 R.Stile = 1 1/8 R.Scribe = 1/4
 T.Scribe = 0 B.Scribe = 1 1/4
 Left End = Unfinished Right End = Unfinished Back = Unfinished

Ideas In Wood

AL

Default

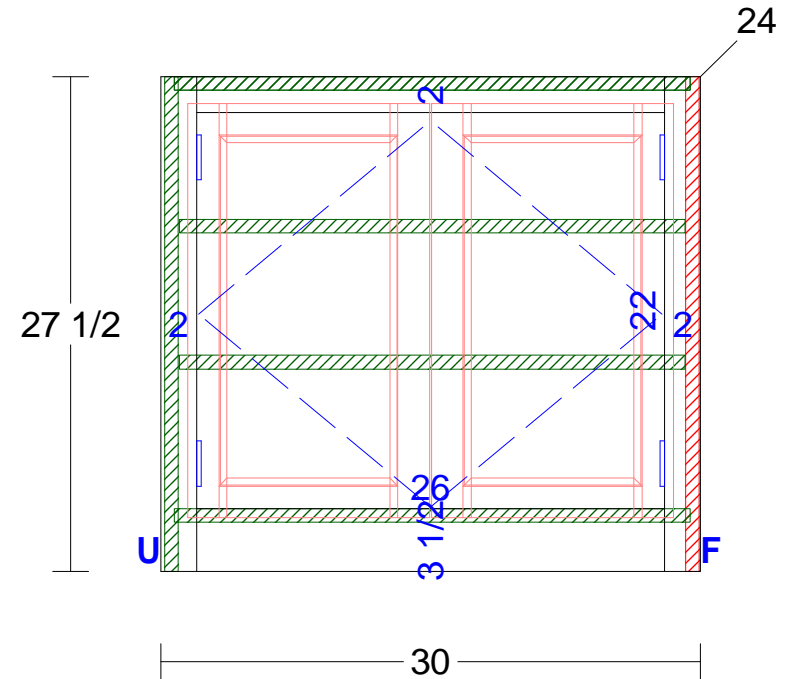
Room # 1 (Room 1) - Wall # 1

Date : 12-17-2008

(2)	DOORS	13 7/16	23	Mission Sq	Oak
FRAME					
(1)		3 1/2	26	Bottom Rail	Solid Oak
(1)		2	27 1/2	Right Stile	Solid Oak
(1)		2	26	Top Rail	Solid Oak
(1)		2	27 1/2	Left Stile	Solid Oak
PANEL STOCK					
(1)		23	27 1/2	Unfinished Left End	3/4 Birch Ply A1
(1)		23 1/4	27 1/2	Finished Right End	3/4 Oak Ply A1
(1)		28 11/16	24 3/4	Unfinished Back	1/4 Birch Ply A4
(2)		2 1/4	28 11/16	Top Stretcher	3/4 Birch Ply A1
(1)		23	28 11/16	Deck	3/4 Birch Ply A1
(2)		22 1/8	28 1/16	Adjustable Shelf	3/4 Birch Ply A1
HARDWARE					
(4)		1	2 1/2	Hinge	Soft Blum 125 1/2

ASSEMBLY # 5 - Full Base

30 x 27 1/2 x 24 (1)



ASSEMBLY # 5 - Full Base

L.Stile = 1 1/8	L.Scribe = 1/4	R.Stile = 2	R.Scribe = 1/16
T.Scribe = 0	B.Scribe = 2 3/4		
Left End = Unfinished	Right End = Finished	Back = Unfinished	
Toe Height = 0	Toe Recess = 0		

Ideas In Wood

AL

Default

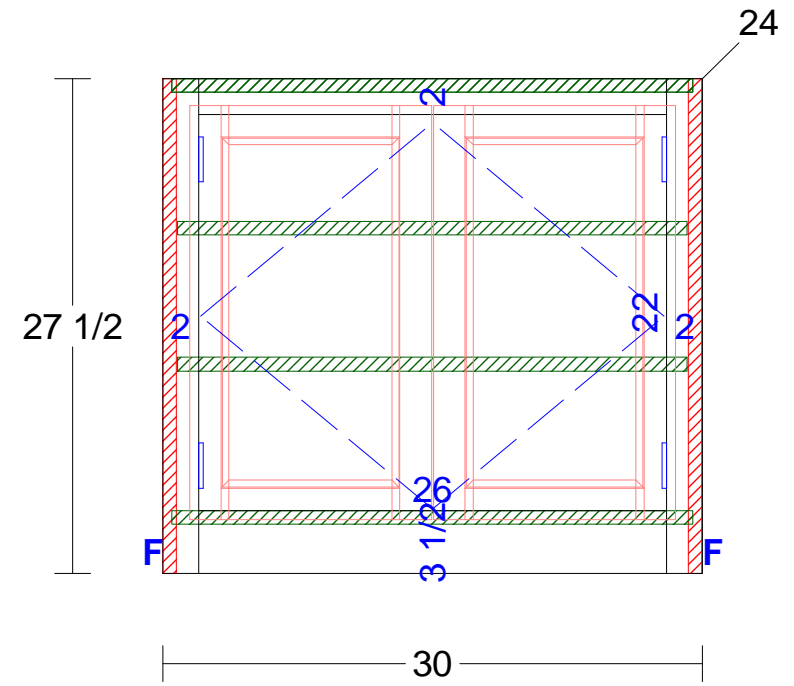
Room # 1 (Room 1) - Wall # 2

Date : 12-17-2008

(2)	DOORS	13 7/16	23	Mission Sq	Oak
FRAME					
(1)		3 1/2	26	Bottom Rail	Solid Oak
(1)		2	27 1/2	Right Stile	Solid Oak
(1)		2	26	Top Rail	Solid Oak
(1)		2	27 1/2	Left Stile	Solid Oak
PANEL STOCK					
(1)		23 1/4	27 1/2	Finished Left End	3/4 Oak Ply A1
(1)		23 1/4	27 1/2	Finished Right End	3/4 Oak Ply A1
(1)		28 15/16	24 3/4	Unfinished Back	1/4 Birch Ply A4
(2)		2 1/4	28 15/16	Top Stretcher	3/4 Birch Ply A1
(1)		23	28 15/16	Deck	3/4 Birch Ply A1
(2)		22 1/8	28 5/16	Adjustable Shelf	3/4 Birch Ply A1
HARDWARE					
(4)		1	2 1/2	Hinge	Soft Blum 125 1/2

ASSEMBLY # 6 - Full Base

30 x 27 1/2 x 24 (1)



ASSEMBLY # 6 - Full Base

L.Stile = 2	L.Scribe = 1/16	R.Stile = 2	R.Scribe = 1/16
T.Scribe = 0	B.Scribe = 2 3/4		
Left End = Finished	Right End = Finished	Back = Unfinished	
Toe Height = 0	Toe Recess = 0		

Ideas In Wood

AL

Default

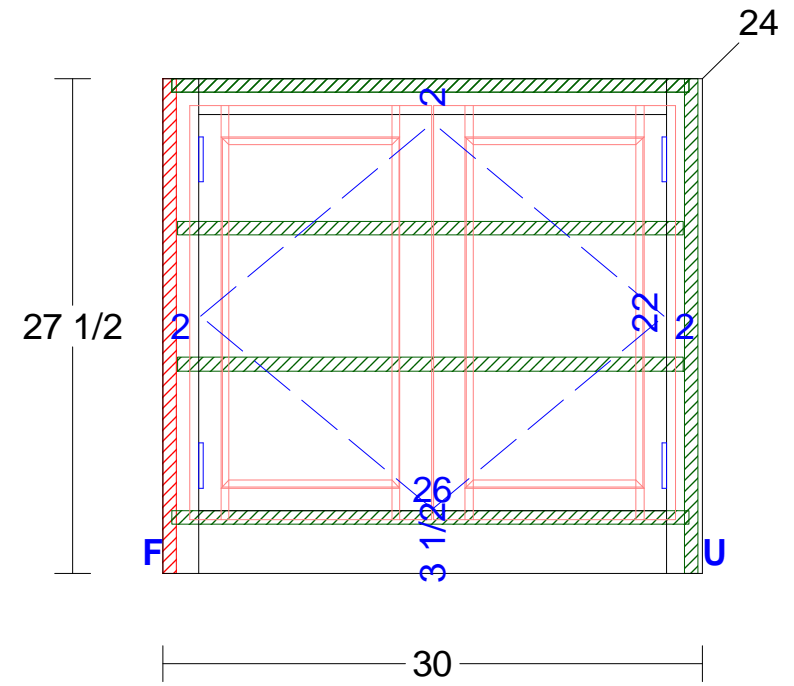
Room # 1 (Room 1) - Wall # 2

Date : 12-17-2008

(2)	DOORS	13 7/16	23	Mission Sq	Oak
FRAME					
(1)		3 1/2	26	Bottom Rail	Solid Oak
(1)		2	27 1/2	Right Stile	Solid Oak
(1)		2	26	Top Rail	Solid Oak
(1)		2	27 1/2	Left Stile	Solid Oak
PANEL STOCK					
(1)		23 1/4	27 1/2	Finished Left End	3/4 Oak Ply A1
(1)		23	27 1/2	Unfinished Right End	3/4 Birch Ply A1
(1)		28 3/4	24 3/4	Unfinished Back	1/4 Birch Ply A4
(2)		2 1/4	28 3/4	Top Stretcher	3/4 Birch Ply A1
(1)		23	28 3/4	Deck	3/4 Birch Ply A1
(2)		22 1/8	28 1/8	Adjustable Shelf	3/4 Birch Ply A1
HARDWARE					
(4)		1	2 1/2	Hinge	Soft Blum 125 1/2

ASSEMBLY # 7 - Full Base

30 x 27 1/2 x 24 (1)



ASSEMBLY # 7 - Full Base

L.Stile = 2	L.Scribe = 1/16	R.Stile = 2	R.Scribe = 1/4
T.Scribe = 0	B.Scribe = 2 3/4		
Left End = Finished	Right End = Unfinished	Back = Unfinished	
Toe Height = 0	Toe Recess = 0		

Ideas In Wood

AL
Default

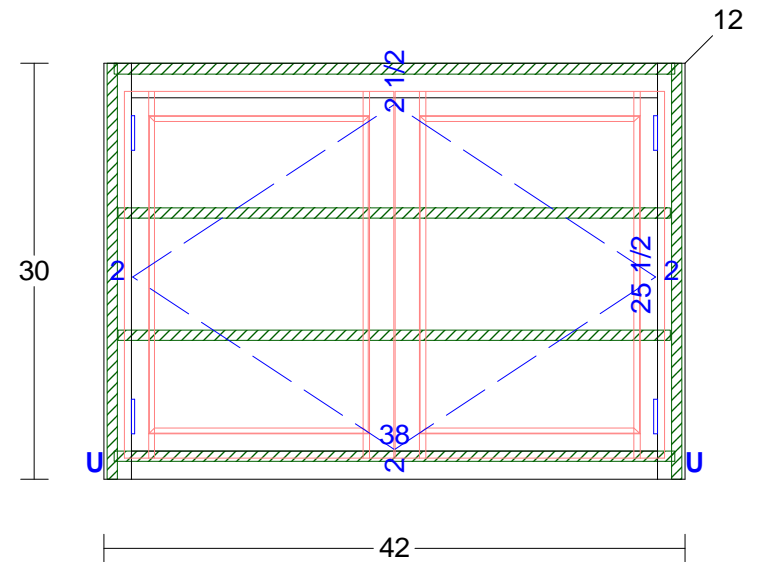
Room # 1 (Room 1) - Wall # 2

Date : 12-17-2008

(2)	DOORS	19 7/16	26 1/2	Mission Sq	Oak
FRAME					
(1)	2	38		Bottom Rail	Solid Oak
(1)	2	30		Right Stile	Solid Oak
(1)	2 1/2	38		Top Rail	Solid Oak
(1)	2	30		Left Stile	Solid Oak
PANEL STOCK					
(1)	11	30		Unfinished Left End	3/4 Birch Ply A1
(1)	11	30		Unfinished Right End	3/4 Birch Ply A1
(1)	40 1/2	28 3/4		Unfinished Back	1/4 Birch Ply A4
(1)	11	40 1/2		Top	3/4 Birch Ply A1
(1)	11	40 1/2		Bottom	3/4 Birch Ply A1
(2)	10 1/8	39 7/8		Adjustable Shelf	3/4 Birch Ply A1
HARDWARE					
(4)	1	2 1/2		Hinge	Soft Blum 125 1/2

ASSEMBLY # 8 - Stand Upper

42 x 30 x 12 (1)



ASSEMBLY # 8 - Stand Upper

L.Stile = 1 1/8 L.Scribe = 1/4 R.Stile = 1 1/8 R.Scribe = 1/4
T.Scribe = 0 B.Scribe = 1 1/4
Left End = Unfinished Right End = Unfinished Back = Unfinished

Ideas In Wood

AL

Default

Room # 1 (Room 1) - Wall # 2

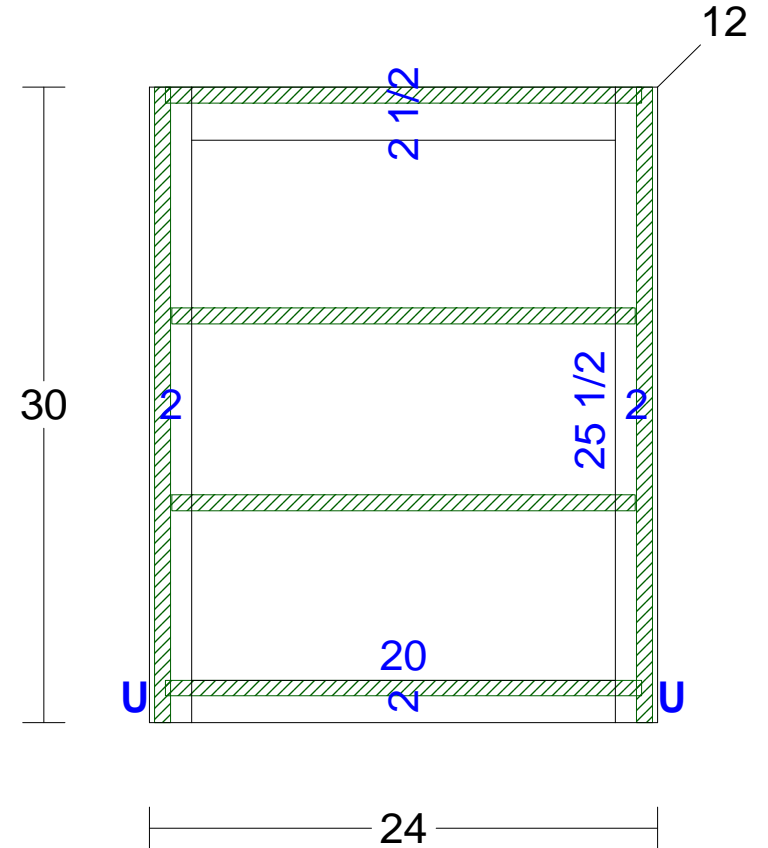
Date : 12-17-2008

FRAME				
(1)	2	20	Bottom Rail	Solid Oak
(1)	2	30	Right Stile	Solid Oak
(1)	2 1/2	20	Top Rail	Solid Oak
(1)	2	30	Left Stile	Solid Oak

PANEL STOCK				
(1)	11	30	Unfinished Left End	3/4 Birch Ply A1
(1)	11	30	Unfinished Right End	3/4 Birch Ply A1
(1)	22 1/2	28 3/4	Unfinished Back	1/4 Birch Ply A4
(1)	11	22 1/2	Top	3/4 Birch Ply A1
(1)	11	22 1/2	Bottom	3/4 Birch Ply A1
(2)	10 1/8	21 7/8	Adjustable Shelf	3/4 Birch Ply A1

ASSEMBLY # 9 - Stand Upper

24 x 30 x 12 (1)



ASSEMBLY # 9 - Stand Upper

L.Stile = 1 1/8 L.Scribe = 1/4 R.Stile = 1 1/8 R.Scribe = 1/4
T.Scribe = 0 B.Scribe = 1 1/4
Left End = Unfinished Right End = Unfinished Back = Unfinished

Ideas In Wood

AL

Default

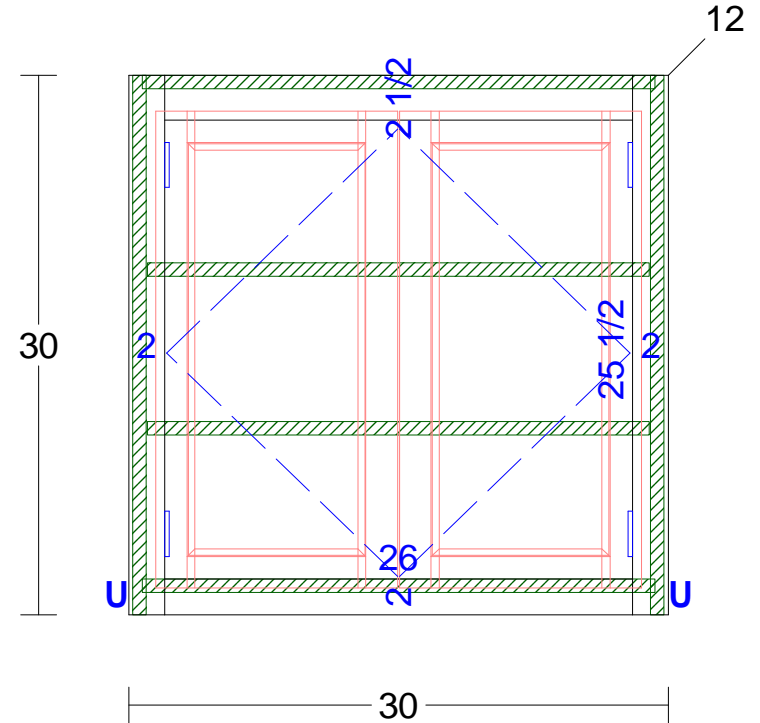
Room # 1 (Room 1) - Wall # 2

Date : 12-17-2008

(2)	DOORS	13 7/16	26 1/2	Mission Sq	Oak
FRAME					
(1)	2	26		Bottom Rail	Solid Oak
(1)	2	30		Right Stile	Solid Oak
(1)	2 1/2	26		Top Rail	Solid Oak
(1)	2	30		Left Stile	Solid Oak
PANEL STOCK					
(1)	11	30		Unfinished Left End	3/4 Birch Ply A1
(1)	11	30		Unfinished Right End	3/4 Birch Ply A1
(1)	28 1/2	28 3/4		Unfinished Back	1/4 Birch Ply A4
(1)	11	28 1/2		Top	3/4 Birch Ply A1
(1)	11	28 1/2		Bottom	3/4 Birch Ply A1
(2)	10 1/8	27 7/8		Adjustable Shelf	3/4 Birch Ply A1
HARDWARE					
(4)	1	2 1/2		Hinge	Soft Blum 125 1/2

ASSEMBLY # 10 - Stand Upper

30 x 30 x 12 (1)



ASSEMBLY # 10 - Stand Upper

L.Stile = 1 1/8 L.Scribe = 1/4 R.Stile = 1 1/8 R.Scribe = 1/4
T.Scribe = 0 B.Scribe = 1 1/4
Left End = Unfinished Right End = Unfinished Back = Unfinished

Ideas In Wood

AL

Default

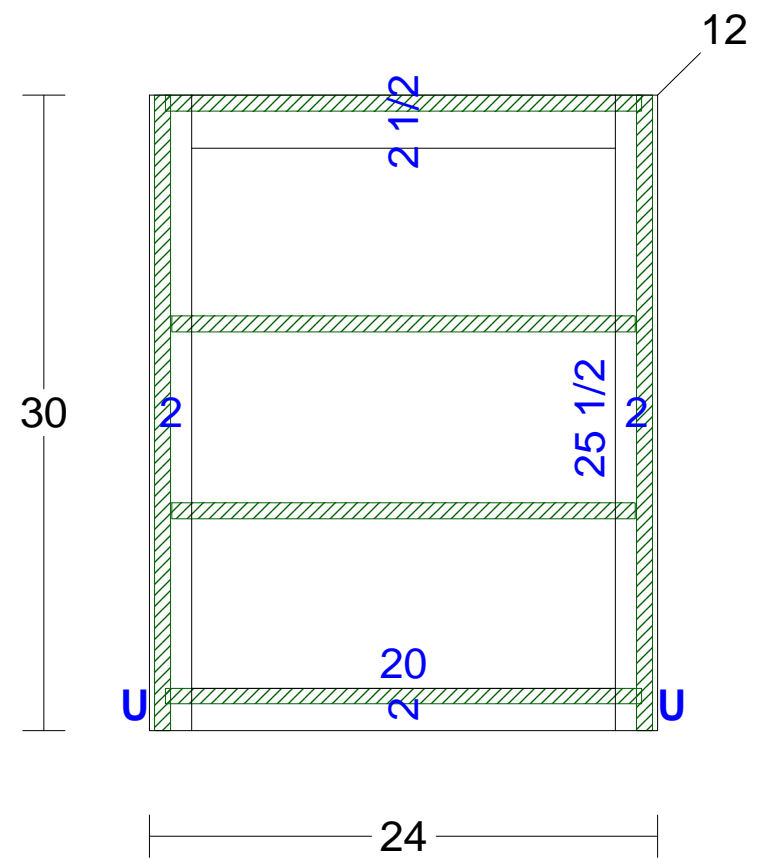
Room # 1 (Room 1) - Wall # 2

Date : 12-17-2008

FRAME				
(1)	2	20	Bottom Rail	Solid Oak
(1)	2	30	Right Stile	Solid Oak
(1)	2 1/2	20	Top Rail	Solid Oak
(1)	2	30	Left Stile	Solid Oak

PANEL STOCK				
(1)	11	30	Unfinished Left End	3/4 Birch Ply A1
(1)	11	30	Unfinished Right End	3/4 Birch Ply A1
(1)	22 1/2	28 3/4	Unfinished Back	1/4 Birch Ply A4
(1)	11	22 1/2	Top	3/4 Birch Ply A1
(1)	11	22 1/2	Bottom	3/4 Birch Ply A1
(2)	10 1/8	21 7/8	Adjustable Shelf	3/4 Birch Ply A1

ASSEMBLY # 11 - Stand Upper
24 x 30 x 12 (1)



ASSEMBLY # 11 - Stand Upper

L.Stile = 1 1/8 L.Scribe = 1/4 R.Stile = 1 1/8 R.Scribe = 1/4
T.Scribe = 0 B.Scribe = 1 1/4
Left End = Unfinished Right End = Unfinished Back = Unfinished

Ideas In Wood

AL

Default

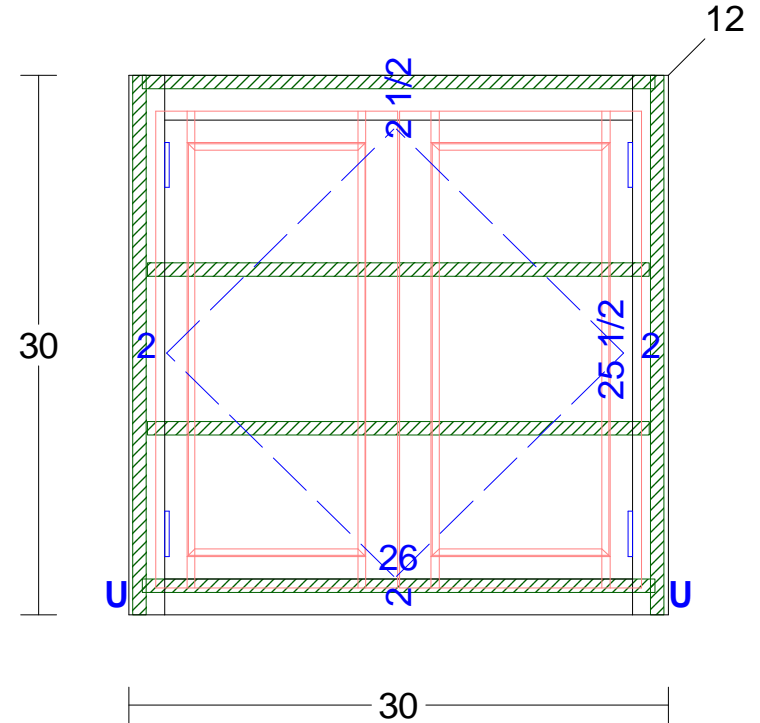
Room # 1 (Room 1) - Wall # 2

Date : 12-17-2008

(2)	DOORS	13 7/16	26 1/2	Mission Sq	Oak
FRAME					
(1)	2	26		Bottom Rail	Solid Oak
(1)	2	30		Right Stile	Solid Oak
(1)	2 1/2	26		Top Rail	Solid Oak
(1)	2	30		Left Stile	Solid Oak
PANEL STOCK					
(1)	11	30		Unfinished Left End	3/4 Birch Ply A1
(1)	11	30		Unfinished Right End	3/4 Birch Ply A1
(1)	28 1/2	28 3/4		Unfinished Back	1/4 Birch Ply A4
(1)	11	28 1/2		Top	3/4 Birch Ply A1
(1)	11	28 1/2		Bottom	3/4 Birch Ply A1
(2)	10 1/8	27 7/8		Adjustable Shelf	3/4 Birch Ply A1
HARDWARE					
(4)	1	2 1/2		Hinge	Soft Blum 125 1/2

ASSEMBLY # 12 - Stand Upper

30 x 30 x 12 (1)



ASSEMBLY # 12 - Stand Upper

L.Stile = 1 1/8 L.Scribe = 1/4 R.Stile = 2 R.Scribe = 1/4
T.Scribe = 0 B.Scribe = 1 1/4
Left End = Unfinished Right End = Unfinished Back = Unfinished

Ideas In Wood

AL

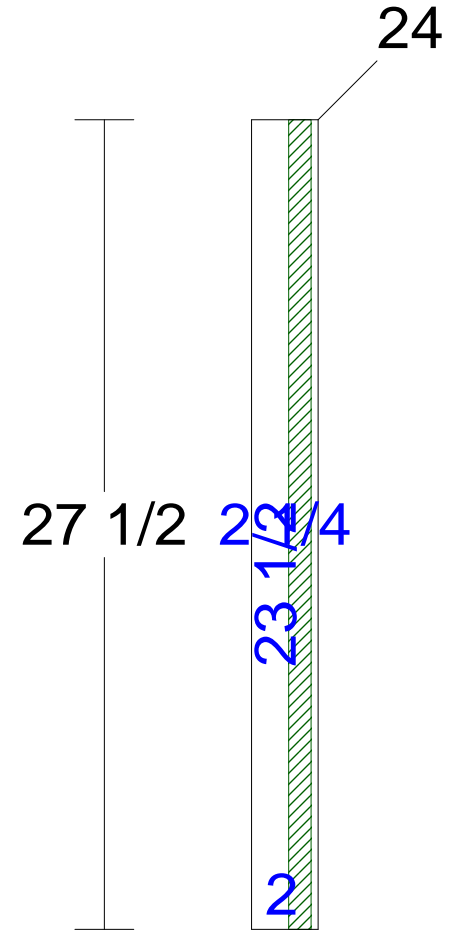
Default

Room # 1 (Room 1) - Wall # 2

Date : 12-17-2008

- (1) FRAME
2 1/4 27 1/2 Right Stile Solid Oak
- (1) PANEL STOCK
23 1/4 27 1/2 Unfinished Right End 3/4 Birch Ply A1

ASSEMBLY # 13 - Finished End Right
2 1/4 x 27 1/2 x 24 (1)



2 1/4

ASSEMBLY # 13 - Finished End Right

L.Stile = 2 L.Scribe = 1/16 R.Stile = 2 R.Scribe = 1/4
 T.Scribe = 2 B.Scribe = 0
 Left End = Finished Right End = Unfinished Back = Unfinished
 Toe Height = 0 Toe Recess = 0

Ideas In Wood

AL

Default

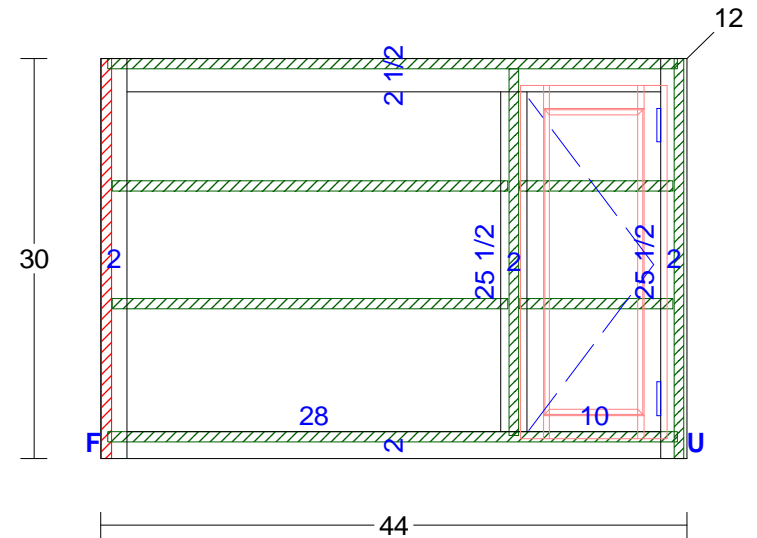
Room # 1 (Room 1) - Wall # 3

Date : 12-17-2008

(1)	DOORS	11	26 1/2	Mission Sq	Oak
FRAME					
(1)	2	40		Bottom Rail	Solid Oak
(1)	2	30		Right Stile	Solid Oak
(1)	2 1/2	40		Top Rail	Solid Oak
(1)	2	30		Left Stile	Solid Oak
(1)	2	25 1/2		Mid Stile	Solid Oak
PANEL STOCK					
(1)	11 1/4	30		Finished Left End	3/4 Oak Ply A1
(1)	11	30		Unfinished Right End	3/4 Birch Ply A1
(1)	42 11/16	28 3/4		Unfinished Back	1/4 Birch Ply A4
(1)	11	42 11/16		Top	3/4 Birch Ply A1
(1)	11	42 11/16		Bottom	3/4 Birch Ply A1
(1)	11	27 1/2		Partition	3/4 Birch Ply A1
(2)	10 1/8	29 11/16		Adjustable Shelf	3/4 Birch Ply A1
(2)	10 1/8	11 1/2		Adjustable Shelf	3/4 Birch Ply A1
HARDWARE					
(2)	1	2 1/2		Hinge	Soft Blum 125 1/2

ASSEMBLY # 14 - Stand Upper

44 x 30 x 12 (1)



ASSEMBLY # 14 - Stand Upper

L.Stile = 2 L.Scribe = 1/16 R.Stile = 2 R.Scribe = 1/4
T.Scribe = 0 B.Scribe = 1 1/4
Left End = Finished Right End = Unfinished Back = Unfinished

Ideas In Wood

AL

Default

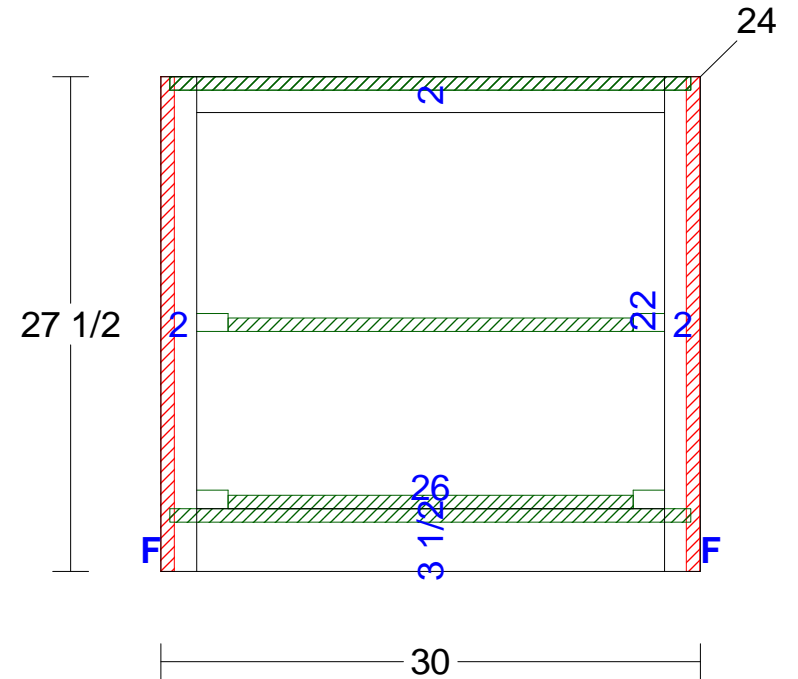
Room # 1 (Room 1) - Wall # 3

Date : 12-17-2008

FRAME				
(1)	3 1/2	26	Bottom Rail	Solid Oak
(1)	2	27 1/2	Right Stile	Solid Oak
(1)	2	26	Top Rail	Solid Oak
(1)	2	27 1/2	Left Stile	Solid Oak
PANEL STOCK				
(1)	23 1/4	27 1/2	Finished Left End	3/4 Oak Ply A1
(1)	23 1/4	27 1/2	Finished Right End	3/4 Oak Ply A1
(1)	28 15/16	24 3/4	Unfinished Back	1/4 Birch Ply A4
(2)	2 1/4	28 15/16	Top Stretcher	3/4 Birch Ply A1
(1)	23	28 15/16	Deck	3/4 Birch Ply A1
(2)	23	22 1/2	Shelf	3/4 Birch Ply A1
HARDWARE				
(4)	1	21 5/8	Roll Out Shelf Guide	K.V. pullout 22"

ASSEMBLY # 15 - Full Base

30 x 27 1/2 x 24 (1)



ASSEMBLY # 15 - Full Base

L.Stile = 2	L.Scribe = 1/16	R.Stile = 2	R.Scribe = 1/16
T.Scribe = 0	B.Scribe = 2 3/4		
Left End = Finished	Right End = Finished	Back = Unfinished	
Toe Height = 0	Toe Recess = 0		

Ideas In Wood

AL

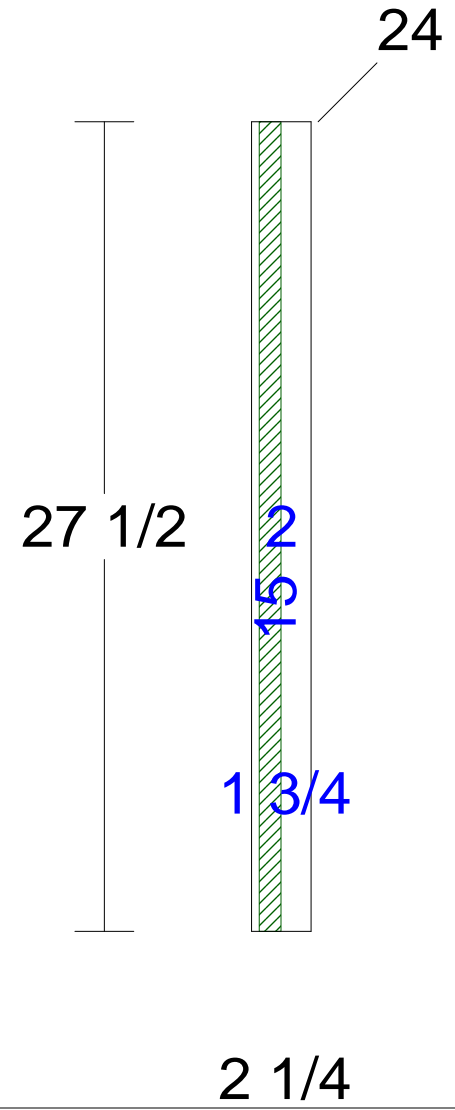
Default

Room # 1 (Room 1) - Wall # 4

Date : 12-17-2008

- (1) FRAME
2 27 1/2 Left Stile Solid Oak
- (1) PANEL STOCK
23 1/4 27 1/2 Unfinished Left End 3/4 Birch Ply A1

ASSEMBLY # 16 - Finished End Left
2 1/4 x 27 1/2 x 24 (1)



ASSEMBLY # 16 - Finished End Left

L.Stile = 2 L.Scribe = 1/4 R.Stile = 2 R.Scribe = 1/16
 T.Scribe = 0 B.Scribe = 2 3/4
 Left End = Unfinished Right End = Finished Back = Unfinished
 Toe Height = 0 Toe Recess = 0

Ideas In Wood

AL

Default

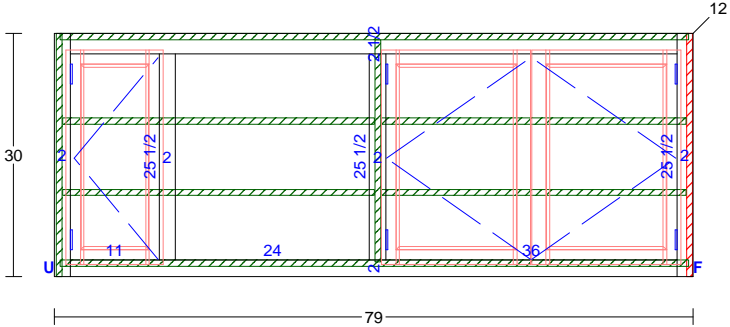
Room # 1 (Room 1) - Wall # 4

Date : 12-17-2008

ASSEMBLY # 17 - Stand Upper

79 x 30 x 12 (1)

DOORS				
(2)	18 7/16	26 1/2	Mission Sq	Oak
(1)	12	26 1/2	Mission Sq	Oak
FRAME				
(1)	2	75	Bottom Rail	Solid Oak
(1)	2	30	Right Stile	Solid Oak
(1)	2 1/2	75	Top Rail	Solid Oak
(1)	2	30	Left Stile	Solid Oak
(2)	2	25 1/2	Mid Stile	Solid Oak
PANEL STOCK				
(1)	11	30	Unfinished Left End	3/4 Birch Ply A1
(1)	11 1/4	30	Finished Right End	3/4 Oak Ply A1
(1)	77 11/16	28 3/4	Unfinished Back	1/4 Birch Ply A4
(1)	11	77 11/16	Top	3/4 Birch Ply A1
(1)	11	77 11/16	Bottom	3/4 Birch Ply A1
(1)	11	27 1/2	Partition	3/4 Birch Ply A1
(2)	10 1/8	38 1/2	Adjustable Shelf	3/4 Birch Ply A1
(2)	10 1/8	37 11/16	Adjustable Shelf	3/4 Birch Ply A1
HARDWARE				
(6)	1	2 1/2	Hinge	Soft Blum 125 1/2



ASSEMBLY # 17 - Stand Upper

L.Stile = 2 L.Scribe = 1/4 R.Stile = 2 R.Scribe = 1/16
 T.Scribe = 0 B.Scribe = 1 1/4
 Left End = Unfinished Right End = Finished Back = Unfinished

Ideas In Wood

AL

Default

Room # 1 (Room 1) - Wall # 4

Date : 12-17-2008